

homeward**b**ath

NEPTUNE

Model: HY42

Installation Manual



Note: You must read all installation & operation instructions prior to assembly and use of this unit.

Table of Contents

Notice to Installers	3
Plumbing Requirements	4
Electrical Information	4
Packing List	5
Assembly Instructions	6-14
Parts Request	15
Warranty Information	16

Note: We keep improving and upgrading the product. All rights are reserved. Specifications are subject to change without notice.

NOTICE TO INSTALLERS

- (1) The product requires 40-75psi water pressure, and balance hot and cold water pressure. If the end user is not satisfied with the water pressure, have your plumber add a pressure pump on your general water supply of the house.
- (2) Please make sure there is a GFCI Protection outlet on the power supply line or a GFCI breaker at the box. (*only with heated air feature*)
- (3) Unit must be attached to the back wall and to floor.
- (4) Units come broken down in one box and is assembled with screws, nuts, and bolts on site.
- (5) **Note:** Tub needs to be leveled in its final resting position, mark the placement, then pull tub out and begin assembly of wall panels. It is advised to have tub onsite before preparing drain location.
- (6) **All fittings and connections must be checked for tightness.**
 - a. When receiving the product, please check the package and the product, especially if there is some damage to the packaging to make sure there is no damage from shipping. If there is damage, please notify the supplier right away within 24hours.
- (7) Make sure the floor can withhold the weight of the product, and the electricity and plumbing are according to the National Standard.

Manufacturer reserves the right to change specs or features at anytime. Please check to confirm details. 1-866-783-2661

PLUMBING REQUIREMENTS

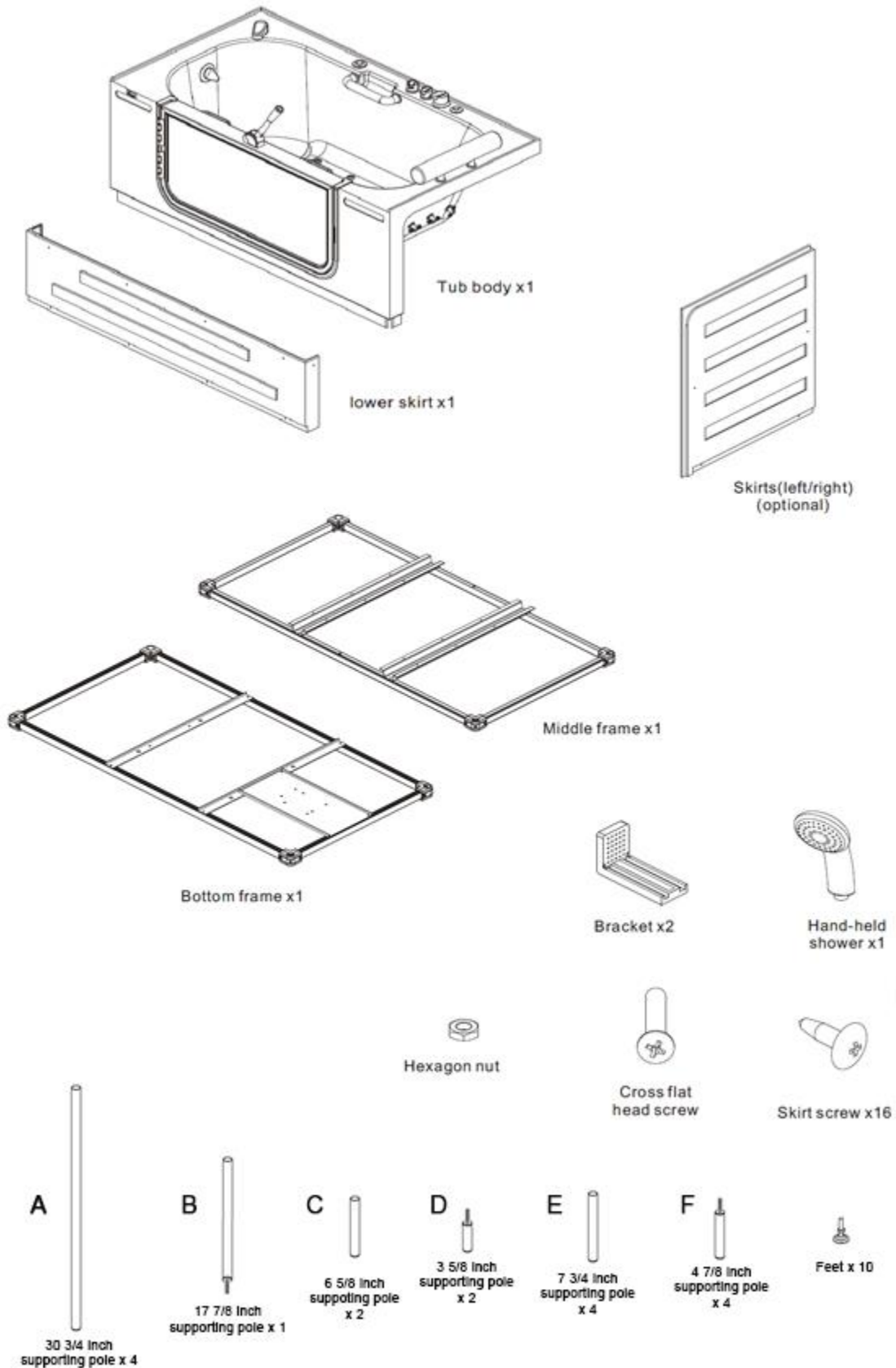
- (1) Unit is equipped with flexible, metal braided ½ inch water supply hose with ½ inch female threaded connectors
- (2) It is needed to install hot and cold shutoffs with ½ inch male threaded nipples (not included)

ELECTRICAL INFORMATION

- (1) Air jet motor with heater 110 volt
- (2) Whirlpool system 110 volt, optional inline heater to be installed into whirlpool system's electrical (no additional outlet required, but available)
- (3) Micro Bubble Whirlpool 110 volt, optional inline heater to be installed into system's electrical (no additional outlet required, but available)
- (4) All systems require dedicated 12-2 wire with 110 volt, 20 amp GFCI breaker

PACKING LIST

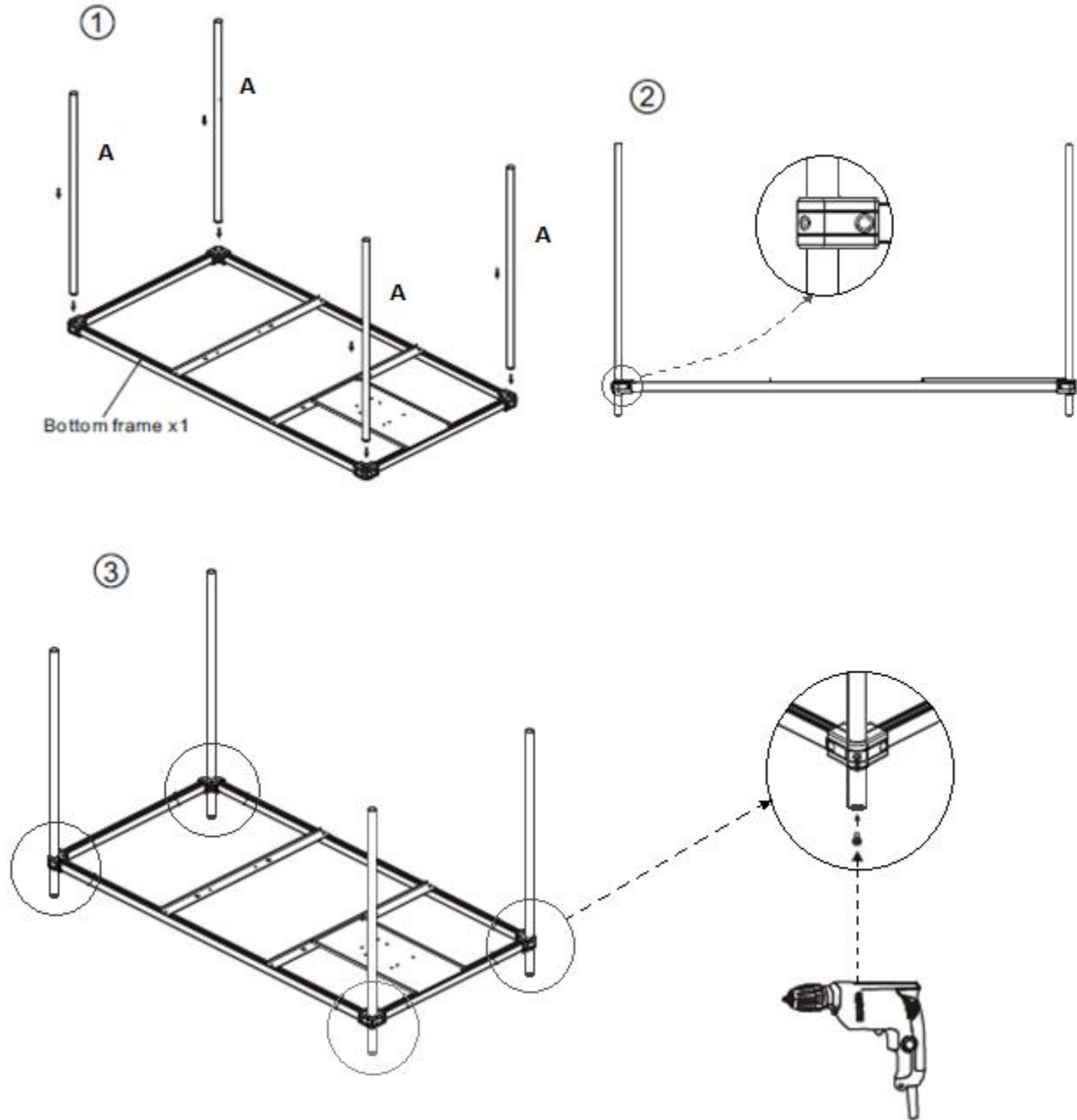
Check the parts in the box against the packing list, if any parts are missing, contact the supplier.



ASSEMBLY INSTRUCTIONS

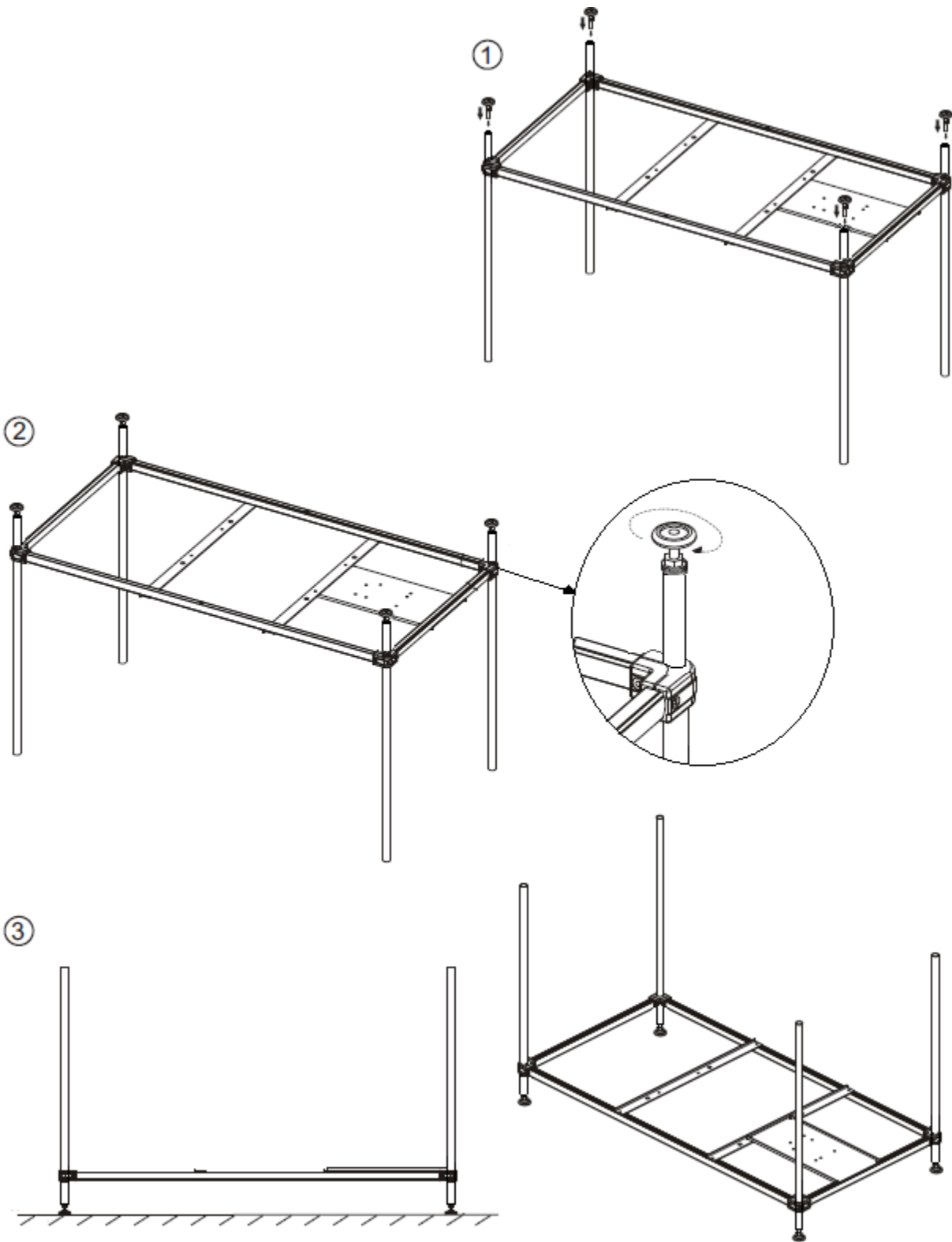
Step 1:

- a. Place the bottom frame on the ground.
- b. Insert four supporting poles A in the corner holes of the frame (figure 1 & 2).
- c. Align the screw holes and secure the support poles right in the frame (figure 3).



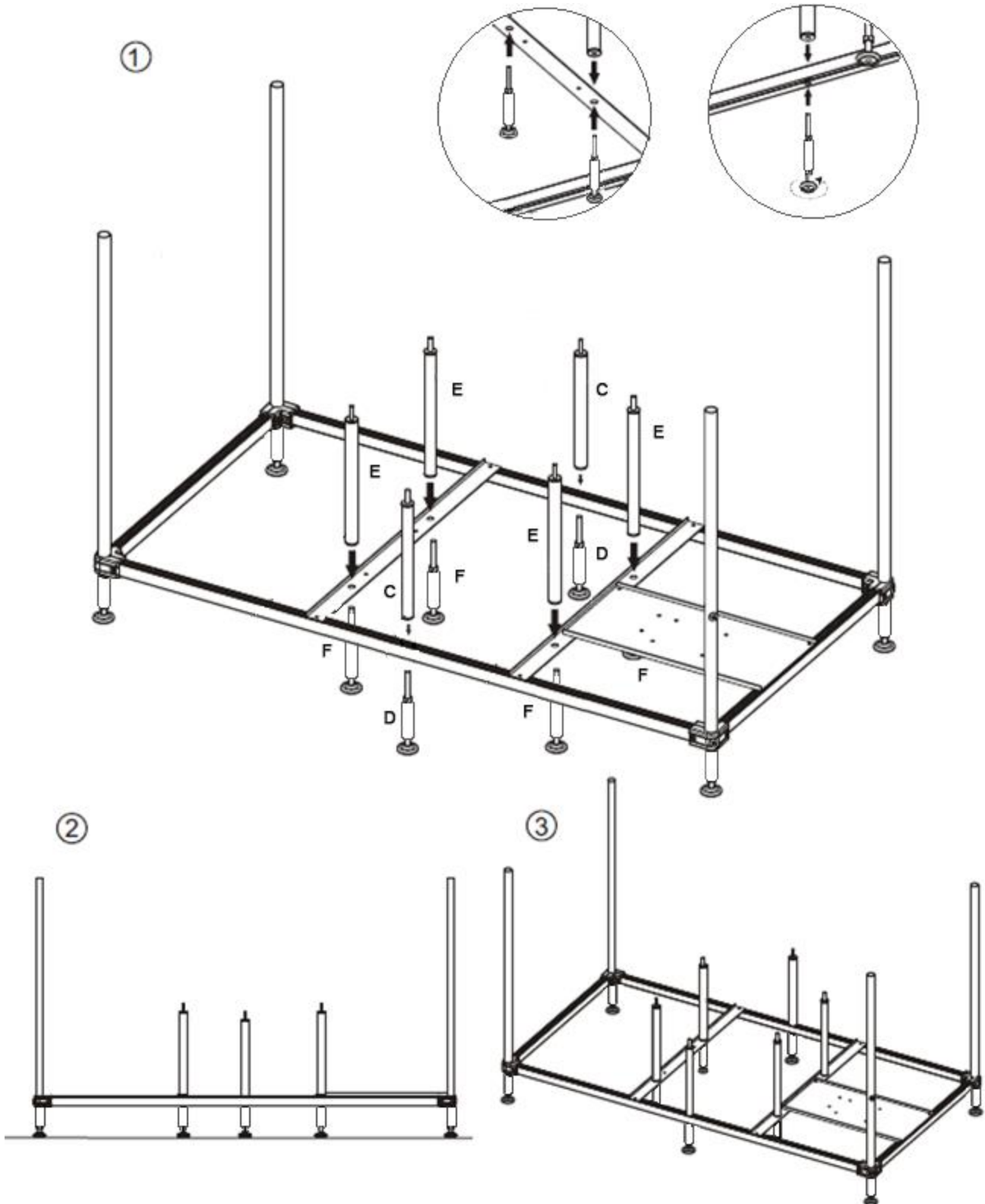
Step 2:

- a. Turn the frame upside down.
- b. Take 4 adjustable feet and install them in the end of supporting pole A at the bottom of the frame (figure 1).
- c. Adjust the feet so that the bottom frame is leveled.



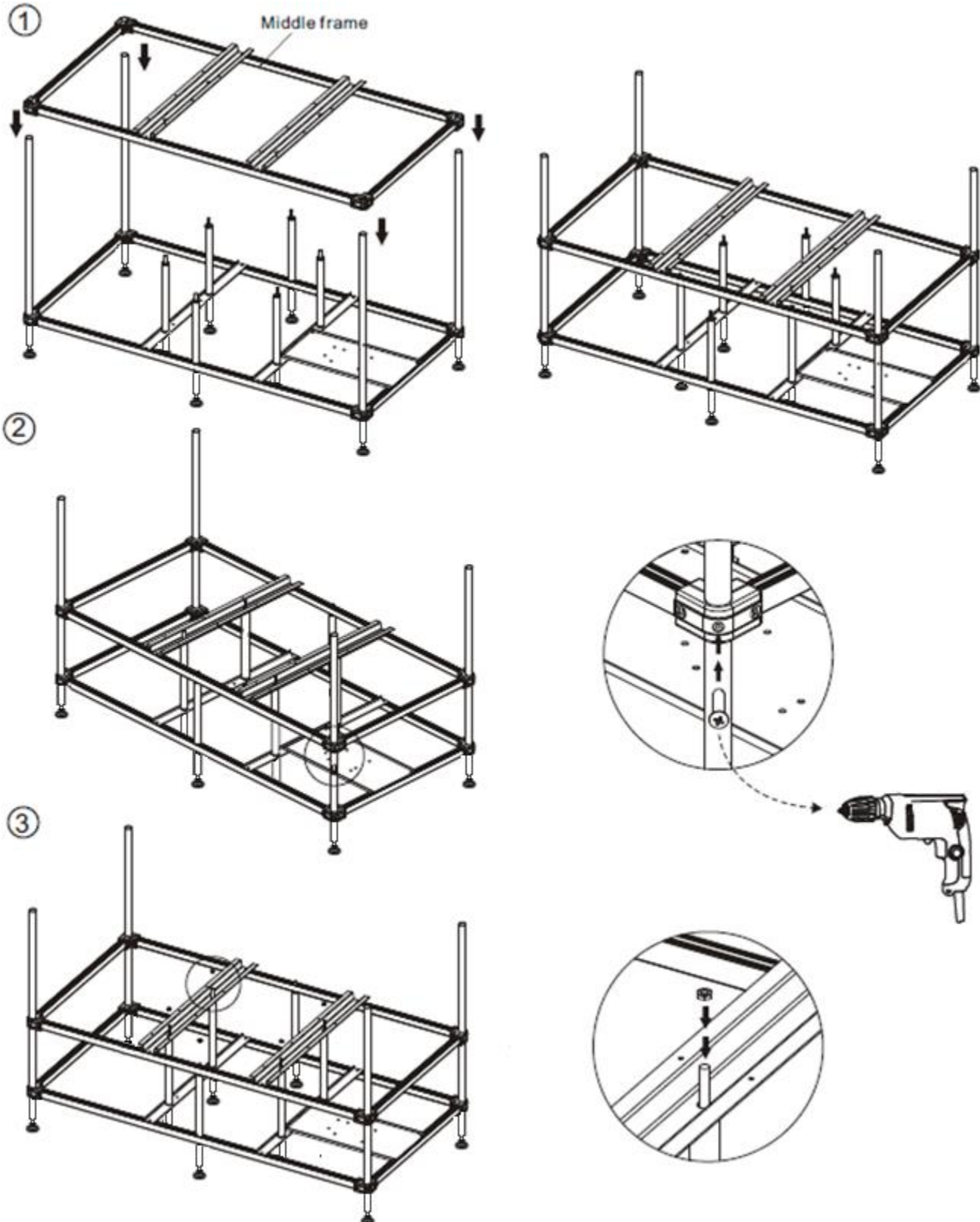
Step 3:

- a. According to figure 1, install supporting poles E and F to the rails and supporting poles C and D to the bottom frame.
- b. Adjust the height of the feet and secure with hexagon nuts. Make sure the bottom frame is leveled and all feet are supporting the frame (figure 2 & 3). Failure to do so will compromise the door seal and warranty will be voided.
- c. Make sure all feet have the hex nut tight. This will add to stability of the unit.



Step 4:

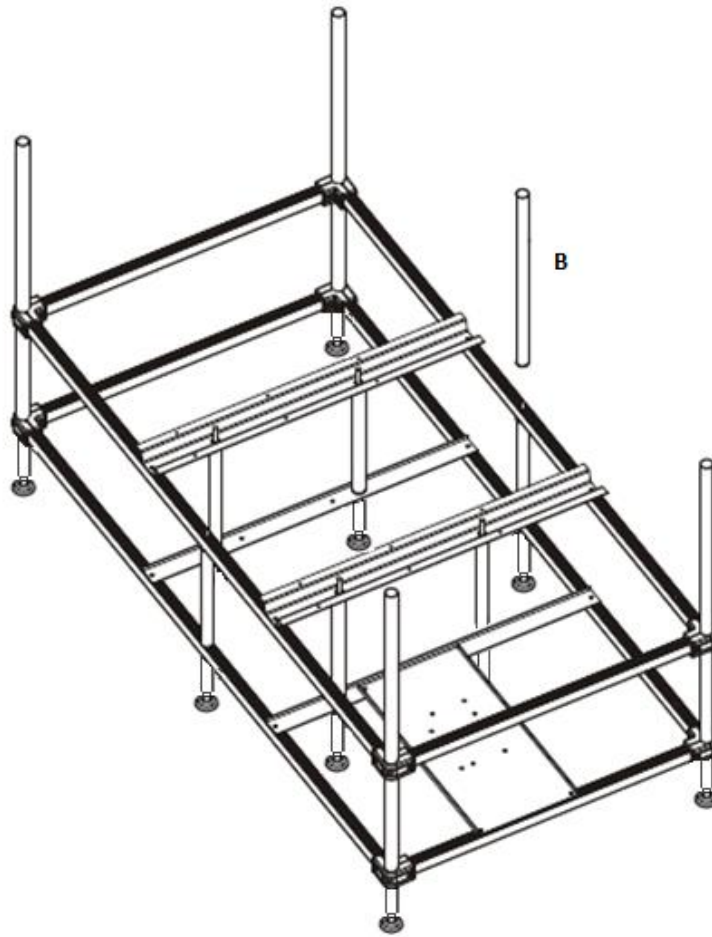
- a. Align the supporting poles to the corner connectors on the middle frame, slide the frame on the supporting poles as shown in figure 1.
- b. Align and secure the four supporting poles A with screws on the corner connectors as shown in figure 2.
- c. Align the rest of the supporting poles on the beams of the middle frame with nuts as shown in figure 3.



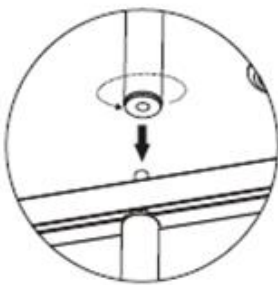
Step 5:

- a. Install supporting pole B on the middle frame as shown in figure 1 through 3.

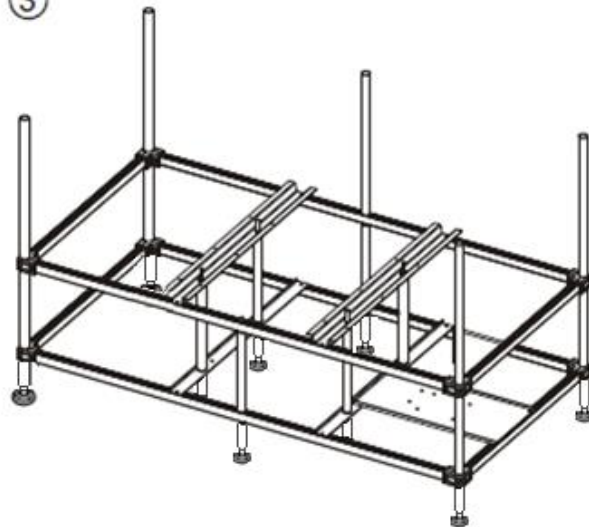
①



②



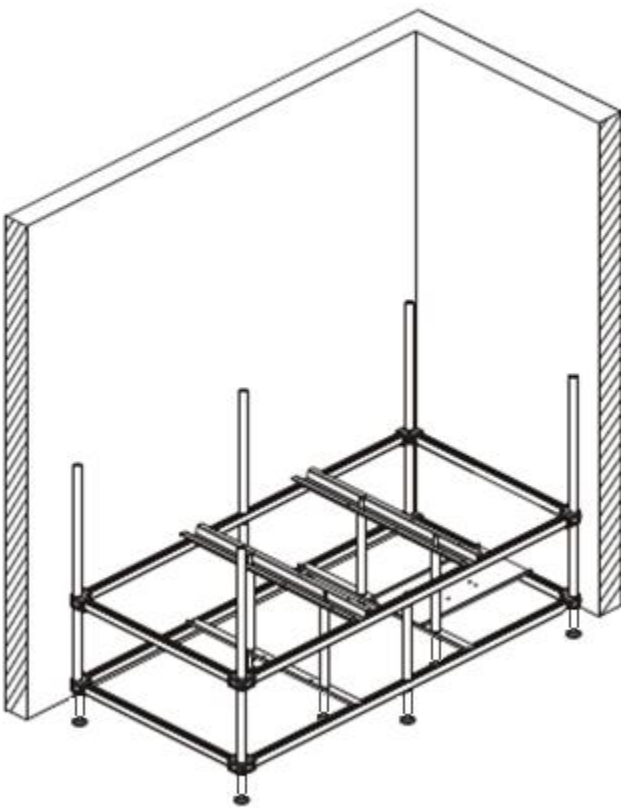
③



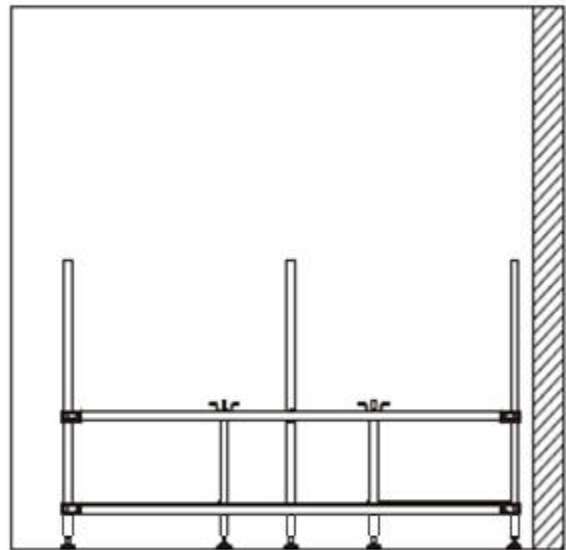
Step 6:

- a. Place the installed tub supporting structure into its final resting place.
- b. Tub **MUST** be secured to the back wall and the floor, to prevent tipping upon entering and exiting the tub.
- c. It's advised to set the frame to the position to determine the best way to secure the frame. After the determination is made, the frame can be moved out from the final resting place and assembly can resume.

①

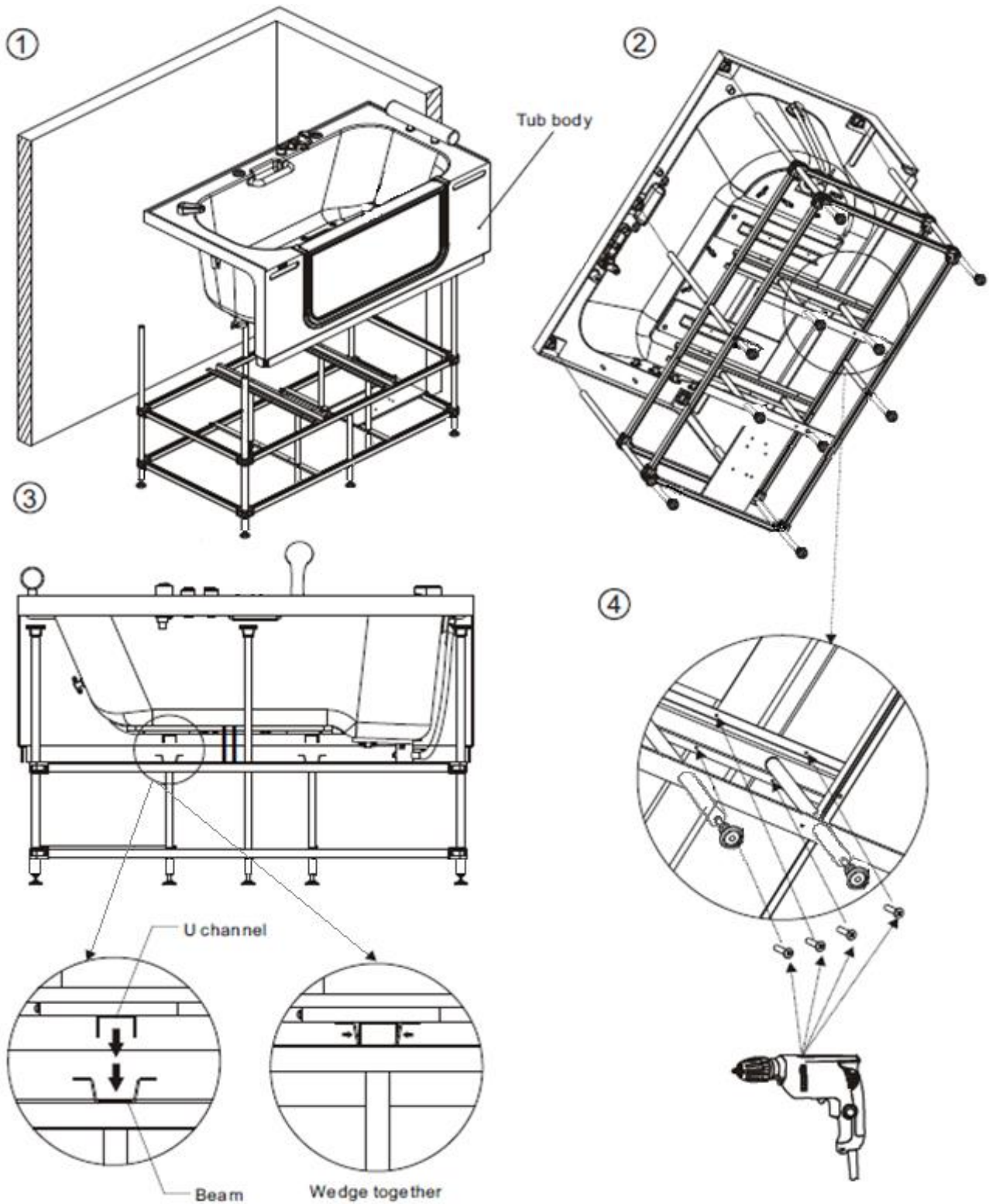


②



Step 7:

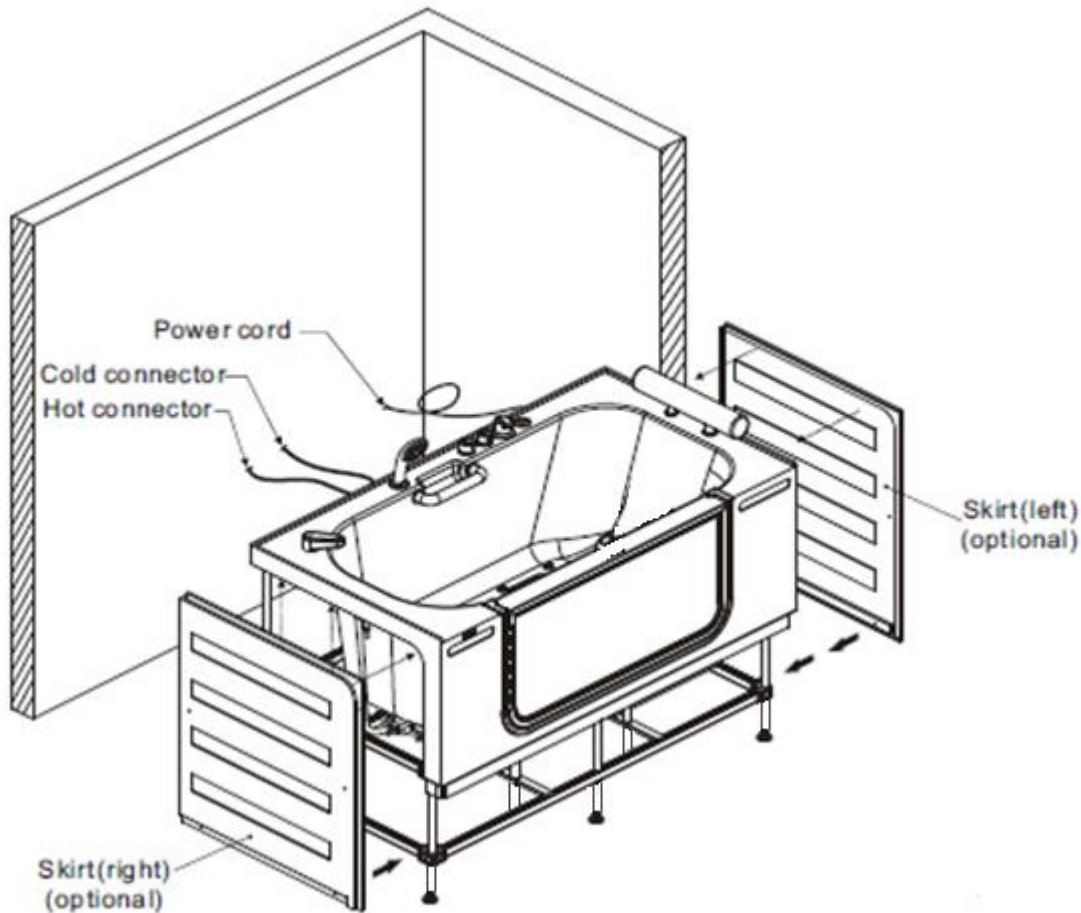
- a. Lift the tub body and lace it on the supporting frame, position the corner poles to connect to the 4 corner connection as shown in figure 1 and 2.
- b. Place the U channels on the bottom of the tub body into the support beams on the middle supporting frame as shown in figure 3.
- c. Secure the beams to the U channels from below as shown in figure 4.



Step 8:

- a. Connect water supply (and power, if applicable). See image below.
 - b. Install side skirts (if applicable). Figure 1
- Note:* make sure the power and water supplies are connected before moving the tub into its final place.

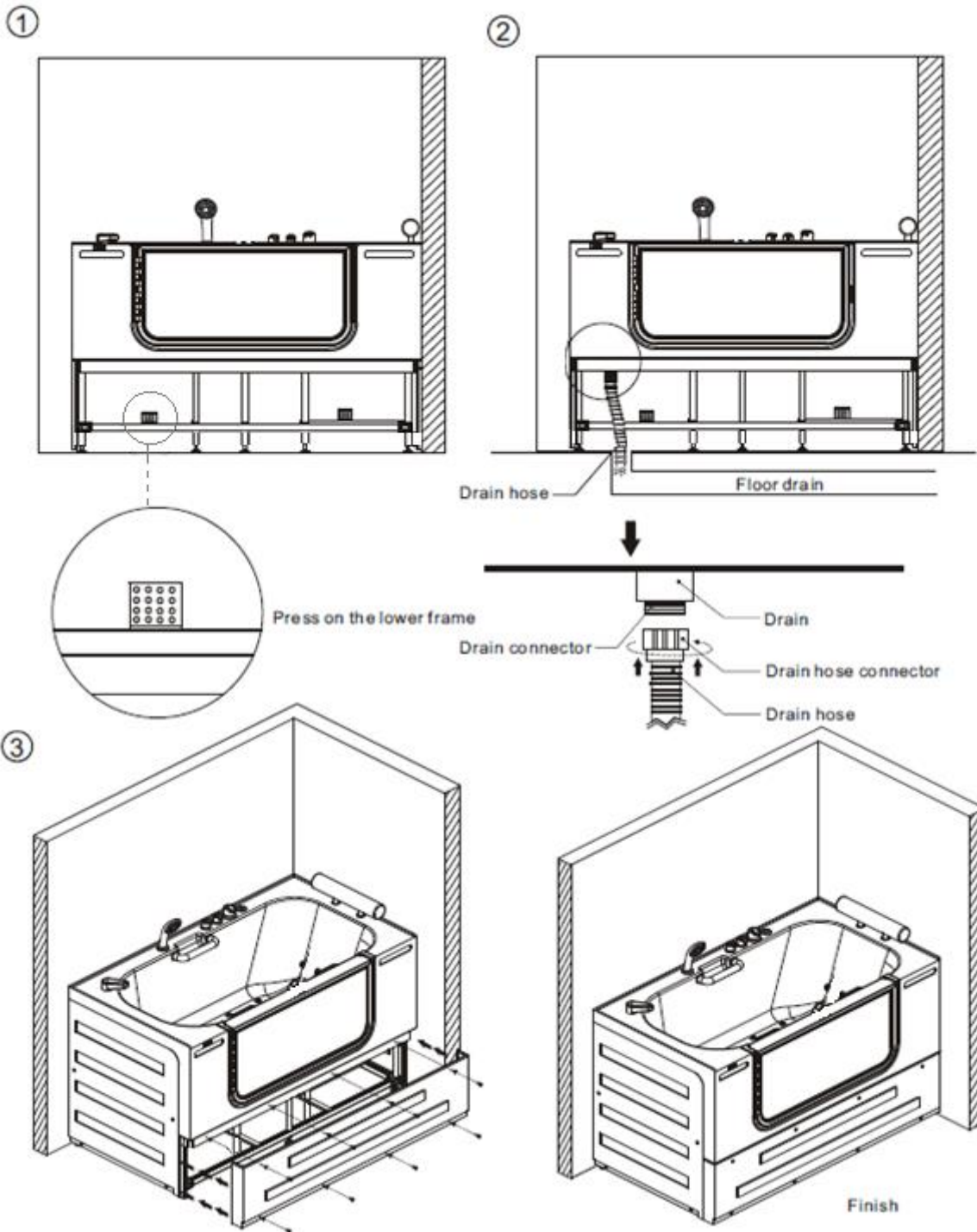
①



Tub frame **MUST** be secured to the back wall and floor to prevent tipping upon entering and exiting the tub.

Step 9:

- a. Move the installed tub into its permanent position. Make sure the frame is secured to the back wall and floor as shown in figure 1.
- b. Connect the drain as shown in figure 2.
Note: The flexible drain hose that is included with this unit is for installation into an open floor drain only. Substituting the existing drain shoe for a different one will not void the warranty as long as there no damage or evidence of misuse.
- c. Install the lower skirt on the tub body with screws and shown in figure 3.



To expedite a
Parts Request

please visit

homewardbath.com/support

**If you would like additional
assistance**

Call 866-783-2661

WARRANTY INFORMATION & REGISTRATION

Please visit our website:
homewardbath.com/warranty-registration

Registration must be completed
within **45 days** of receipt to be
valid.

A full description of the warranty is
available on the Homeward Bath
website.