

# homeward**b**ath

## Venus Series Steam Showers

### Installation & Operation Manual

Models: HW6030 & HW6028S



In order to operate and use the product properly, please follow all instructions provided in this User's Manual. Our company reserves the right to change the Manual at any time. The manual takes effect the date it's published. This manual shall prevail if there is any difference between this and previous documents and manuals.

[www.hwbpro.com](http://www.hwbpro.com)

866-783-2661

Revision Date: 09/2022

## Table of Contents

NOTICE TO INSTALLERS .....	3
PACKING NOTE .....	3
PRODUCT FEATURES .....	4
TECHNICAL INFORMATION .....	4
PUMBING REQUIREMENTS .....	4
GENERAL INFO .....	4
PARTS LIST .....	5
GLASS ANGLE BRACKET INSTALLATION INSTRUCTION .....	5
SECTION PICTURE OF RUBBER SEAL .....	5
INSTALLATION INSTRUCTIONS .....	6
PFISTER HANDLE ASSEMBLY .....	11
TRIM FLANGE ATTACHMENT .....	11
HANDLE ATTACHMENT .....	11
TEMPERATURE ADJUSTMENTS .....	11
FAUCET FUNCTION AND USAGE .....	12
S198E KEYPAD USER MANUAL .....	12
KEYPAD DIAGRAM .....	12
KEYPAD OPERATIONS INSTRUCTIONS .....	13
FAUCET CLEANING AND MAINTENANCE .....	14
GENERATOR CLEANING .....	14
PFISTER MAINTENANCE & CARE .....	15
DISASSEMBLY: .....	15
TRIM CARE: .....	15
TROUBLESHOOTING TIPS .....	15
CLEANING CARTRIDGE .....	15
ADDITIONAL INFORMATION .....	16
WARRANTY INFORMATION & REGISTRATION .....	16
NOTES .....	16

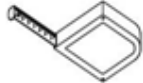
## NOTICE TO INSTALLERS

1. The overall height from the ground to the ceiling has to be minimum of 85in for the enclosure.
2. The water pressure has to be in the 55-75 psi range and, if the pressure is lower than required, you may install a booster to the water supply.
3. Please use a 20-amp dual pole 220V GFI breaker for the electrical connection.
4. We advised to have an access panel installed on the side of the electrical/water connections for maintenance and service.
5. In the parts box is a roll of a foam type tape with one side that has an adhesive on it. This should be placed in the bottom channels of the base where the glass panels rest.

*Manufacturer reserves the right to change specs or features at any time. Please check to confirm details. 1-866-783-2661.*

## PACKING NOTE

1. When first opening the boxes, please make sure everything is in good condition, especially if any visible damage has been done to the package, please contact Steam Planet immediately with photographic documentation of the damage.
2. Make sure all water and electrical components are up to local and national standards.
3. Two installers are required for these units.
4. Here are the tools you may need for installation:



Rubber mallet

wrench

level

tape measure

screwdriver

phillips #2

pencil

4mm allen wrench

## PRODUCT FEATURES

- Two-person Steam and Shower Enclosure
- Low Threshold 2.75" H Base included
- 3.5kW Quick heating Self-Draining Steam Generator
- Steam Aromatherapy Cup
- 8 Body Massage Jets
- Hand-held Shower w/ Various water massage settings & adjustable height bracket
- 8 in. wide water-drenching Rainfall Shower
- UPC CERTIFIED Thermostatic / Anti-scald Faucet
- "Special Process" Tempered Glass walls and front Clear Glass
- Built-in Control Key Pad
- FM Radio
- Bluetooth
- "Chromotherapy" LED multiple Color Lights
- Waterproof Shower Grid
- 2 Removable Benches
- Circulation Fan for moving steam throughout the shower
- Accessory Rack
- Sliding Door System
- Available in Black or White
- Available in Left or Right Controls (wet wall determines unit direction)

## TECHNICAL INFORMATION

Materials: tempered glass

Power supply: 20amp dual pole, 220V GFCI breaker, 1 dedicated 12-2 line for steam (line 1, line 2, and ground)

Steam ready: 5-7 MIN

HW6030 Dimensions: 59 x 32 x 84.5H in

HW6028S Dimensions: 59 x 40 x 84.5H in

## PUMBING REQUIREMENTS

The unit is equipped with 2-3 ft. hot and cold, metal braided water supply hose with ½-inch national pipe thread to connect from faucet/manifold (Manifold is located. 4 ft. high on rear of unit) to the shutoff valves (should be installed where they can be accessed). Note: base edge sets directly against back and sidewall. Do not install any pipes along walls as to impede the base from setting flush against them.

Install hot and cold shutoffs with ½ -inch male national pipe thread (not included). Install shutoffs where they can be accessible.

Access panel near controls, pumps, and jets is recommended

All fixtures and fittings must be checked for tightness as they may have been loosened during transport.

## GENERAL INFO

User's electric must meet national safety standard for voltage and frequency. Power supply shall be consistent with the parameters marked on the product.

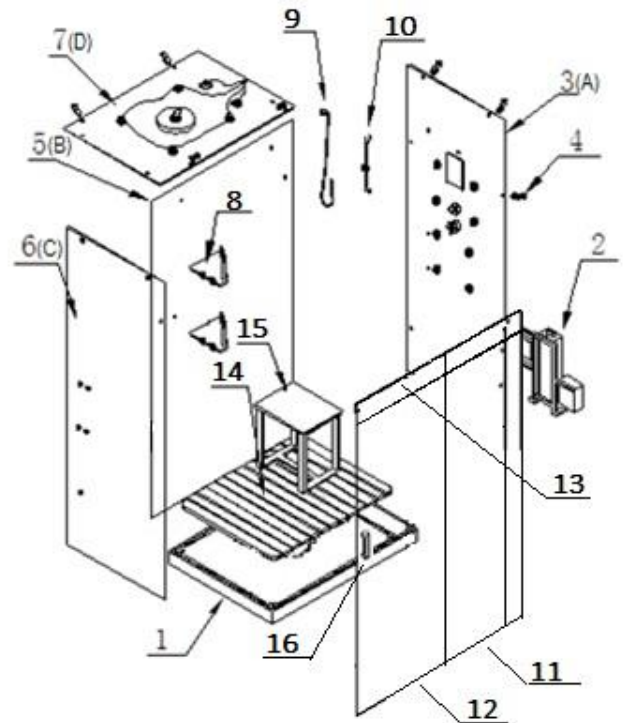
The ground should always be connected to the system.

Water and power must be shut off when leaving for more than 2 days' time.

We advise to use a water filtration system for the steam generator unit. One Recommended filtration system is Whirlpool WHKF-DWHV.

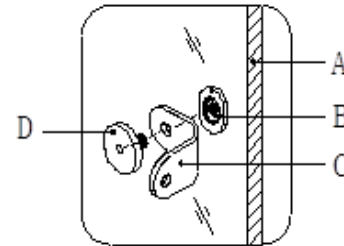
## PARTS LIST

1. Base
2. Electrical Control module w/ Generator
3. Control panel (Glass A)
4. 90-degree bracket (15)
5. Painted large back panel (Glass B)
6. Painted left fixed glass (Glass C)
7. Painted top (Glass D)
8. Shelves (2)
9. Hand shower wand
10. Hand shower wand holder
11. Fixed Glass Door (E)
12. Sliding Glass Door (F)
13. Movable Door Fixed Cover (G)
14. PVC grids
15. Seat (2)
16. Door Handle
17. Shelf mounting brackets – not pictured (6)

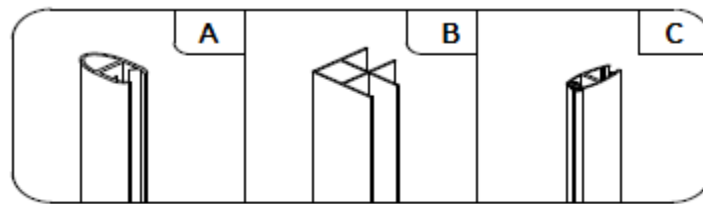


## GLASS ANGLE BRACKET INSTALLATION INSTRUCTION

- A. Glass panel
- B. Threaded Connector
- C. Angle Bracket
- D. Connecting Bolt



## SECTION PICTURE OF RUBBER SEAL



A. Half-moon shape seal B. Corner seal C. Magnetic seal

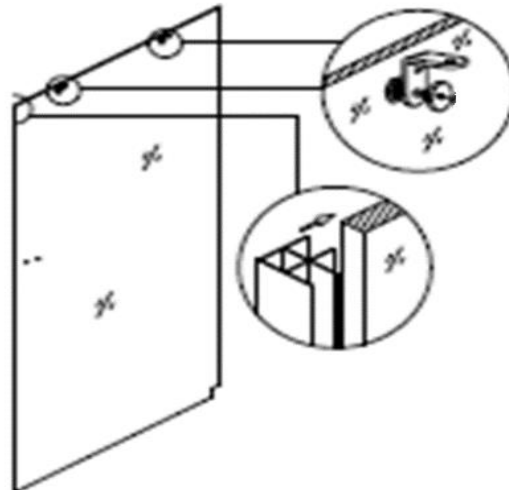
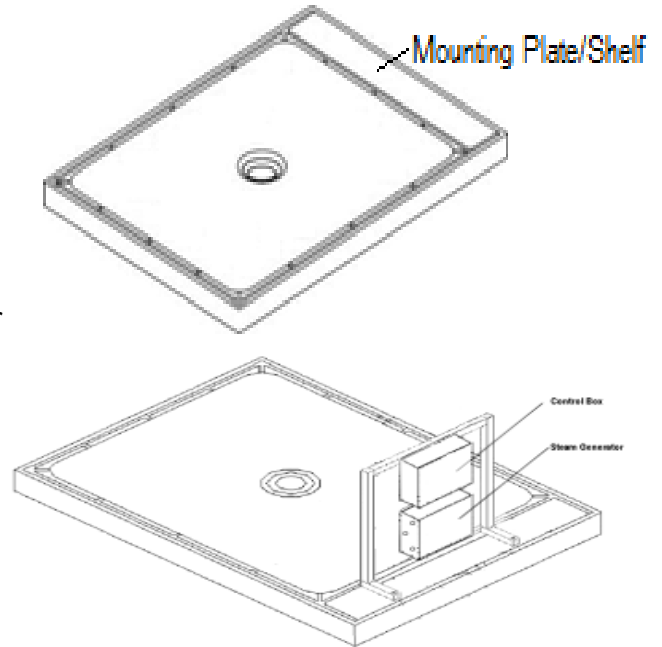
**When assembling the glass panels make sure they are completely level, squared and plumb!**

Questions? Call 1-866-783-2661 Customer Service

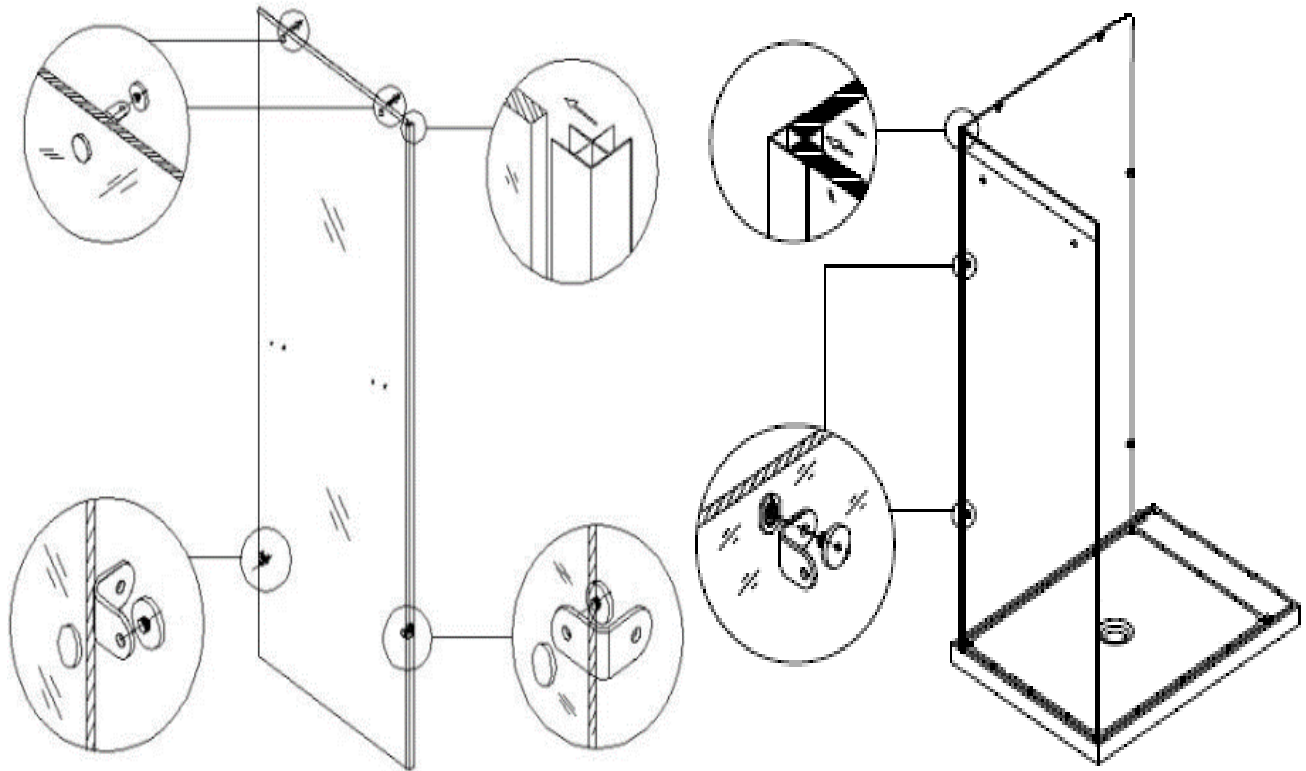
## INSTALLATION INSTRUCTIONS

*Note: Confirm the drain setup. When installing make sure each panel is level, square, plumb and 90-degree before securing completely.*

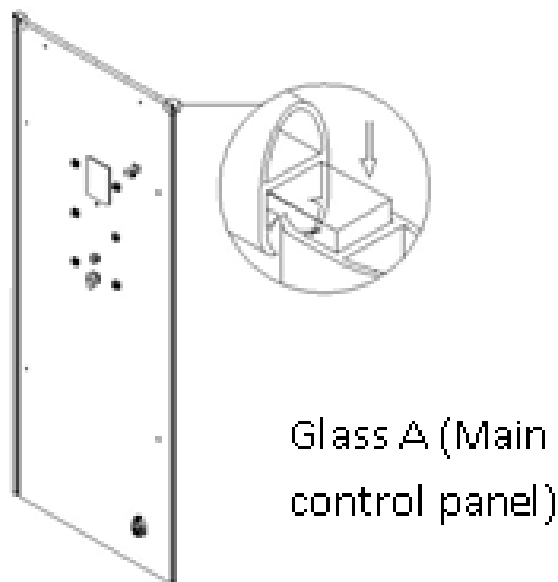
1. Determine whether you are installing a left or right unit. If it is a righthand unit, the mounting plate must be on the right.
2. Prepare a space for base.
3. Find the drain position. Prepare the drain.
4. Install the floor drain in the base. Block the drain opening to prevent debris from getting in.
5. Prepare the base. Silicone the 4 threaded studs in the base for the steam generator frame.
6. Install the base. Use THINSET (concrete or other support material) to fill the hollow space under the base. Make sure the base is completely leveled. Failure to do so will result in glass panels not lining up.
7. Prepare electric lines along with the hot and cold-water supply lines. It is recommended to have on/off valves and on/off electric switch next to the unit. Also, it is recommended to install a filter on the cold-water line.
8. Install foam tape into the channels of the base. Cut tape at weep slots in the base.
9. *Note: Attach glass shelf brackets to back of panel B before proceeding.* Install the corner gasket on the left and right sides of the large back panel B. The gasket on the control side must be trimmed from top down from 82in to 79 1/2in, then install the angle bracket to the holes on the glass B (back panel.) Connect with screws.
10. *Note: Attach glass shelf brackets to panel C before proceeding.* Install angle brackets to the holes on glass, panel C. Refer to the image.



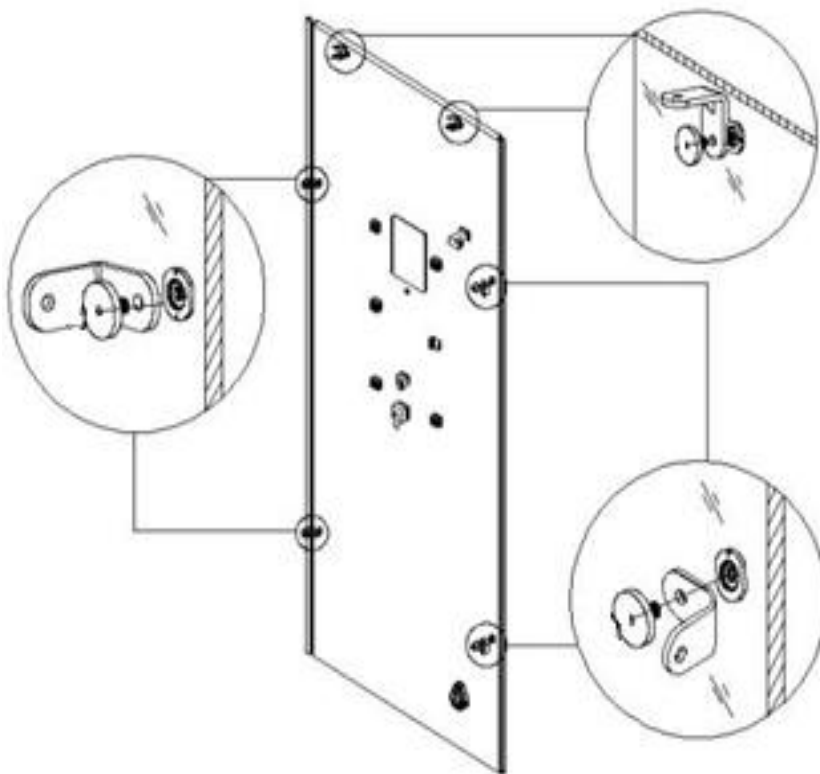
11. *Note: Use Windex for lubricant.* Slide glass C into the open side of the corner gasket on glass B.  
*Note: Glass B is the large back panel, and glass C is a painted non-control side.* Line up the installation holes and connect glass B and glass C.



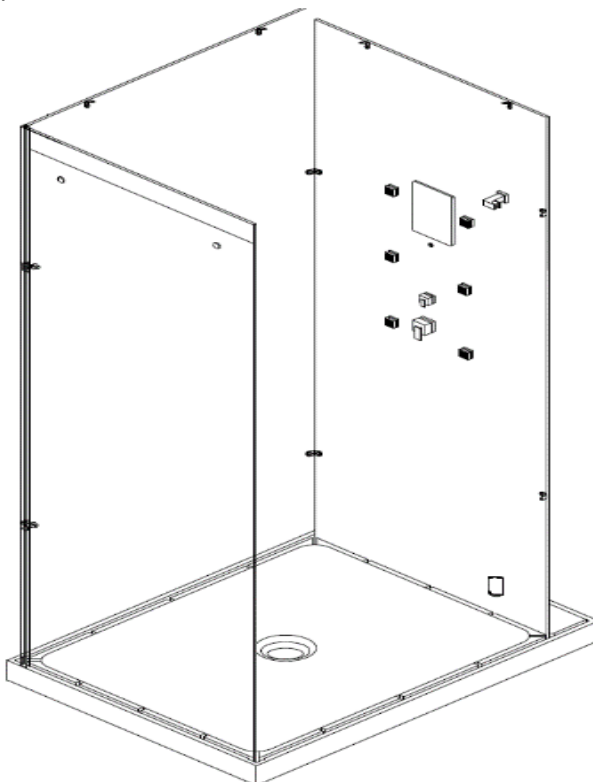
12. Make sure that the glass C is vertically leveled, square and plum.
13. Insert the half-moon shaped rubber seals onto the outside facing edge and trim. Install the half-moon seal on top edge of the glass A. *Note: top gasket may be already installed on the panel.*



14. Install angel brackets over the installation holes of glass A, connect with connector bolts (make the connection snug, but loose enough to make adjustments.)

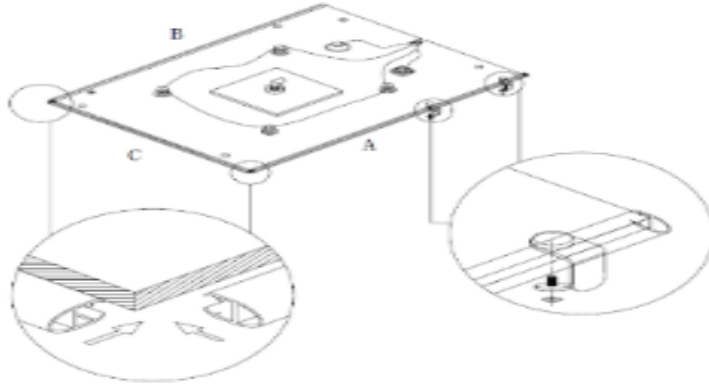


15. Slide panel A into the corner gasket on panel B. Secure the two panels with the 90-degree brackets. *Small amount of lubricant on the gaskets will help with installation.*

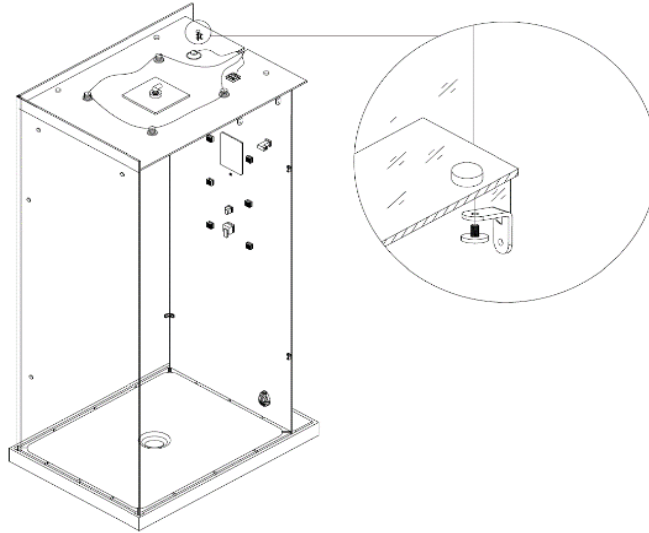




16. Make sure the half-moon shaped seals are on the sides of the top D. If needed, assemble the half-moon shaped seals on the sides A, and C of glass D (top). See illustration. Attached angle brackets to glass panel D. Note: The fan and speaker side of the glass will hang over the main control panel.

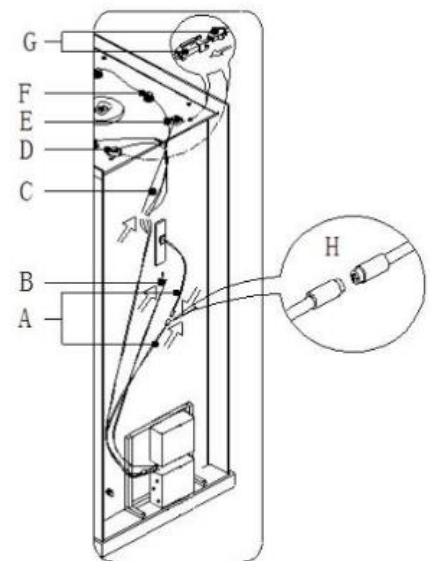


17. Place glass D (top) on the top of the unit, align connecting holes with glass D to glass panels A, B and C. Use connector bolts to connect. Refer to illustration.



18. Electrical Connections: The wires of the fan, speaker, and lights are labeled. Make the corresponding connections from the accessory to the wire coming from the control box. When connecting the keypad, make sure the arrows are lined up. Note: Connections may not match in color. Images/labels on the lines must be followed.

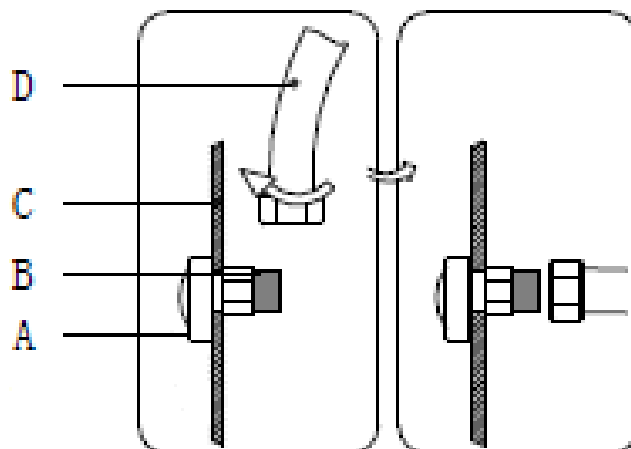
- a. Wire for control panel
- b. Temperature Sensor
- c. Wire for speaker/fan/light
- d. Speaker
- e. Fan
- f. Lights
- g. Connecting terminal for light/fan/speaker
- h. Control panel connecting terminal
- i. Microphone



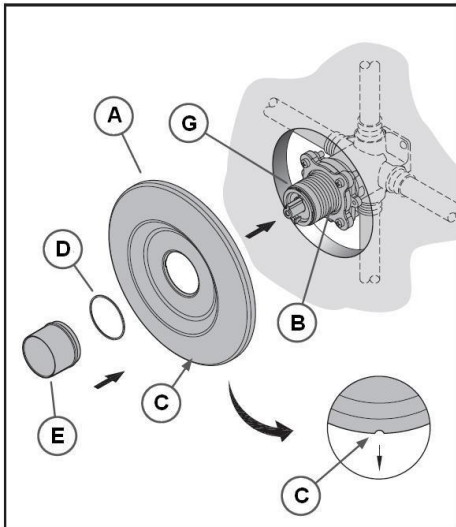
19. Steam Generator Drain Connection: There is a gray hose with two hose clamps. One end of the hose connects to the 90-degree fitting at the bottom of the generator labeled drain and the other end attaches to the 90-degree barbed fitting under the steam outlet.
20. Water & Steam Connections:
  - a. Steam outlet
  - b. Black steam insulated hose
  - c. Diverter
  - d. Rainfall shower head supply
21. Attach the door rollers to movable door F. It is convenient to bring in the movable door into the unit to be attached after the fixed door is installed; however, since this is tempered glass, make sure to use soft padding or fabric so that the glass does not shatter. *Note: If bringing the glass into the shower stall, make sure the door rollers are facing out.*
22. Attach glass panel E which has a stripe across the top and side to glass panel D and A. *Note: On the front panel E there is a "notch" on the bottom.*
23. Attached the angle brackets to the fixed door top (G). Attach the assembly to the top of the panel (D).
24. Insert the movable door into the rail all the way to make sure the door rollers are caught on the rail. The door will hang off those rollers and should catch on the white 90-degree brackets on the base.
25. Put the floor grids on the floor of the shower tray. Put the benches on top of the floor grids.
26. Attach the handheld holder bracket.
27. Attach flexible waterline to the outlet of the panel A and the other end to the handheld shower wand. *Note: the hex nut of the water line goes on the panel outlet.*
28. Attach the door handle to the movable door. Install the shelves into the shower.

29. Steam Cup Connection:

- a. Steam Outlet
- b. Steam Line
- c. Glass Connector
- d. Steam Hose

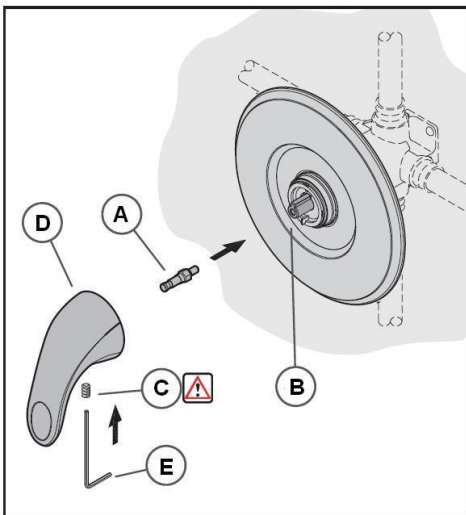


## PFISTER HANDLE ASSEMBLY



### TRIM FLANGE ATTACHMENT

Position Flange (A) on the Valve (B) with drain hole (C) at the bottom. Place Protective Washer (D) on the short end of the reversible Retainer Sleeve (E). Screw Retainer Sleeve (E) onto threaded section of the Stem and Bonnet (G). Tighten Retainer Sleeve (E) by hand until Flange (A) is snug to finished wall surface. If the short end of the Retainer Sleeve (E) is too short, reverse it to use the longer end.

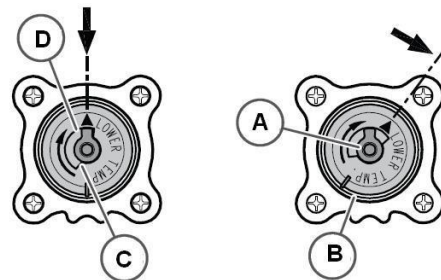
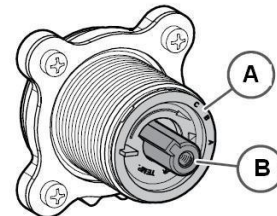
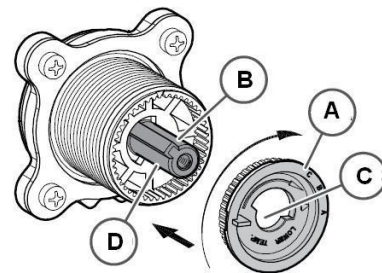
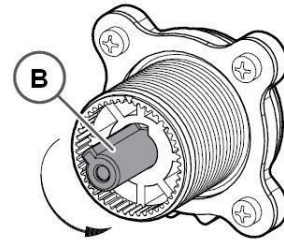
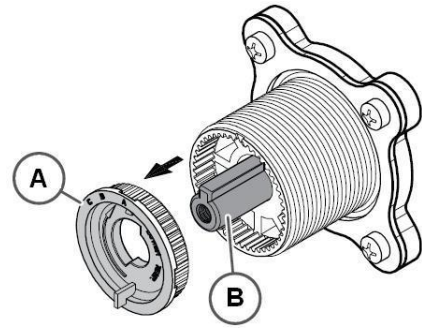


### HANDLE ATTACHMENT

Screw Stem Extender (A) onto the Valve Stem (B). Thread the Set Screw (C) into the Handle and thread it in only three or four turns. With valve in CLOSED position, place handle (D) onto the Stem Extender (A) and tighten the Set Screw (C) by using the Hex Wrench (E) that is provided.

*Note: Make sure Set Screw (C) is securely tighten to handle (D).*

## TEMPERATURE ADJUSTMENTS



FULL TRAVEL

LIMITED TRAVEL

Adjustment gear (A) is factory-set to prevent stem from reaching full hot position. To adjust stem rotation: remove adjustment gear (A). Rotated stem (B) counterclockwise to determine a maximum desired temperature. Replace gear aligning adjustment stop (C) to stem tab surface (D) to stem (B) cannot move beyond adjustment point.

## FAUCET FUNCTION AND USAGE

- Water Diverter handle
  - Turn the diverter handle according to the signs marked on its face.
- When you use the hand held shower, turn the knob to the hand held shower sign;
- When you use the massage jets, turn the knob to the back-massage sign.
- When you use the rainfall shower head, turn the knob to the rainfall shower sign
- Cold Water and Hot:
  - Turn the faucet to left and right to increase/decrease the water temperature.

## S198E KEYPAD USER MANUAL

### KEYPAD DIAGRAM



1.Crystal display

2.Power button

3.Shuttle switch

4.Volume adjust button

5.Previous

6.Next

## KEYPAD OPERATIONS INSTRUCTIONS

**Press on button** – Keypad will light up

NOTE: When keypad has not been used for 30 seconds the locked symbol on the right side of the keypad will light up. To get out of locked mode press the Shuttle

### Knob

If you rotate the Shuttle Knob and it doesn't move, make sure it is not in the locked mode. Rotate the Shuttle Knob and the Various options will become highlighted on the Crystal Display (keypad). When you get the option you want Press the Shuttle Knob to select a particular mode

*For example: To start up the Steam Generator*

To start the steam generator, turn the Shuttle Knob to steam, press the Shuttle Knob and the Steam on the Crystal Display will light up and the steam room temperature will be displayed. A default Time and Temperature will be displayed near the bottom of the Crystal Display. In order to change the time and/or Temperature the Steam Generator must be on. To change the temperature for the steam room, Press the Shuttle Knob, then rotate the Shuttle Knob to highlight the

### Temp

Press the Shuttle Knob to engage the temp control and rotate the Shuttle Knob to the desired room temperature, press the Shuttle Knob to set the temperature. To change the time (duration of the steam setting), Rotate the Shuttle Knob until the Timing on the Crystal Display is highlighted, press the Shuttle Knob to engage the timer and rotate it to the desired time. Press the Shuttle Knob to set the time.

The Steam Generator has an automatic draining system that will engage automatically about 6 minutes after the power is off

To operate the various other options on the Crystal Display, see below.

**Spray:** Not applicable

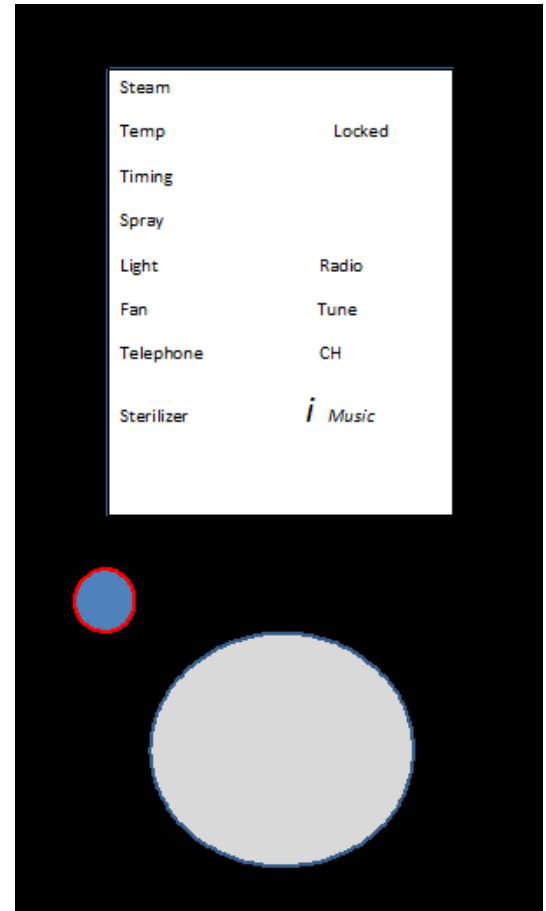
The Light: will come on when the off/on button is pressed. If you wish to turn on or turn off the light, rotate the Shuttle Knob until the Light is highlighted on the Crystal display and press the Shuttle Knob to turn the light on or off.

The Fan: can be accessed the same way as the lights, (it does not come on automatically). The fan is NOT an exhaust fan but a recirculating fan. Steam rises so the fan should be on to force the steam to the lower area of the steam room.

**Sterilizer:** Not Applicable

### Radio Function:

Rotate the Shuttle Knob until the Radio is highlighted, press the Shuttle Knob and the radio will come on. Next rotate the Shuttle Knob until the Tune is highlighted Press the \_\_\_\_\_ to find radio stations at higher frequencies and press \_\_\_\_\_ to lower the radio frequencies. Once you have located your desired station, press the Shuttle Knob to lock it in.



The Mhz will be displayed. To Manually find a station Make sure the Mhz is flashing by making sure the tune is highlighted and pressing Shuttle Knob. The Mhz will start to flash then you can then rotate the Shuttle Knob to the particular station. Once you have found your particular station press the Shuttle Knob to set it.

### **i Music**

To access the Bluetooth features of the unit you need to connect to the Device SANJUN\_BT.

Rotate the Shuttle Knob until the i Music is highlighted press the Shuttle Knob to engage the Blue Tooth.

You will see ON at the top of the crystal display when connected (if not press the Shuttle switch)

You can play and control music from your Smart Phone.

To control the music Volume with the Keypad, Highlight the i MUSIC, PRESS the Shuttle Knob. Press the Speaker button on the bottom left of the keypad and the dB on the display will flash, rotate the Shuttle Knob to the desired volume, press the Shuttle Knob to set.

While in Bluetooth mode you can receive call and talk through the microphone. If you have a waterproof phone you can make calls also.

To answer incoming calls, press the shuttle knob.

To stop the electronic system, press the on/off button on the keypad again.

## FAUCET CLEANING AND MAINTENANCE

- Liquid detergents and soft cloth should be used. DO NOT clean with acetone and ammonia detergents on fixtures. Do not use detergents with formic acid or formaldehyde. Do not use any abrasive cleaners.
- Mineral deposits/scaling on surface can be cleaned by soft cloth with heated vinegar.
- After every 30 uses, we suggest you to clean the steam generator.

## GENERATOR CLEANING

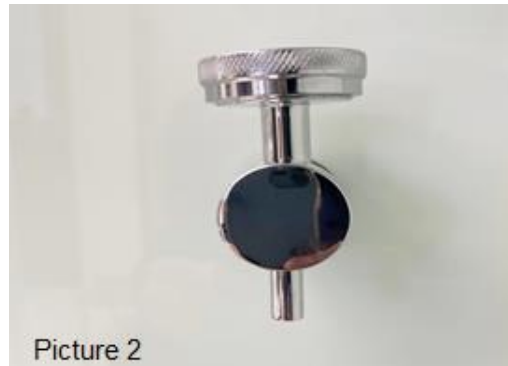
Make about a quart of cleaning solution using 1 cup of citric acid and 1 quart of hot water. Thoroughly mix the solution.

Turn off the water supply to the unit at the shutoff valves. Make sure the cleaning valve is set at the proper position, knob turned to the right (see Picture 1) Unscrew the cap, set the time and temperature of the generator to the maximum and turn on the generator. Pour the solution into the opening of the cleaning valve. The valve will open and close several times as the solution begins to enter the steam generator. Once the tank is full and no more water can be poured into the valve, watch and wait for steam to come out the steam outlet. When you see the steam, shut off the power at the CIRCUIT BREAKER, not the keypad. If you shut off the power at the keypad the unit will drain and the cleaning solution will not have had time to work. You can replace the cleaning valve cap back on at this time. Wait overnight for the solution to work. Reset the breaker. Turn the cleaning valve lever to the Down position, cleaning valve closed for solution (see Picture 2) Turn on the unit and let it steam for about 5 minutes, turn the unit off (at the keypad) wait for about twenty minutes. During that time the steam generator will have had time to automatically drain. The unit can now be used as usual.



Picture 1

Valve is open for Steam Generator Cleaning Operation



Picture 2

Valve is closed for Steam Generator Operation



## PFISTER MAINTENANCE & CARE

### DISASSEMBLY:

1. Replacement parts may be available at Lowes or Home Depot.
2. When replacement parts are not available, please write or call Price Pfister Consumer Service.
3. Always turn off water and release pressure before working on your faucet.

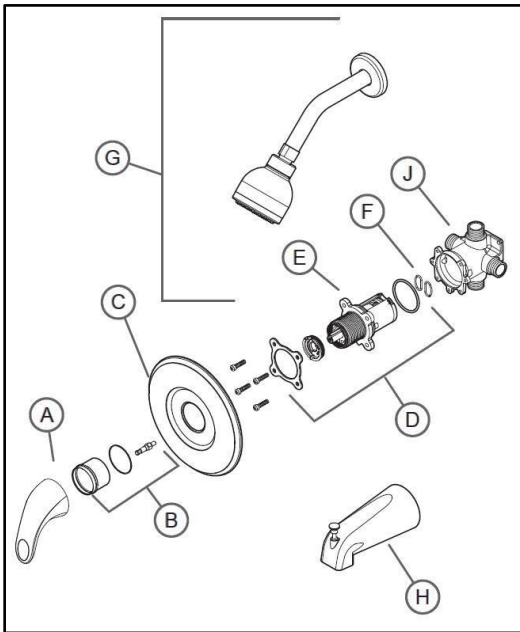
### TRIM CARE:

#### Cleaning instructions:

For all Handles and decorative finishes, use only a soft damp cloth to clean and shine. Use of polish, detergents, abrasive cleaners, organic solvents or acid may cause damage. Use of other than a soft damp cloth will nullify the warranty.

Trim products which contain porcelain or other similar substances are not acceptable for public areas or commercial use. Installation of said trim is at users' risk!

### TROUBLESHOOTING TIPS



#### Temperature or flow does not remain consistent.

The cartridge assembly (D) may need cleaning. Shut off water supply. Remove handle assembly (A), unscrew retainer sleeve (B) and remove flange (C). Remove cartridge assembly (D) and inspect cartridge (E) and inlets for debris or sediment and flush with water. Reassemble the whole unit and test. If problem persists you may need to replace the cartridge.

#### Sleeve (B) is too short.

Extension kit 910-563 is available at a nominal charge for valves which have been roughed-in too far back in the wall. The kit contains a one-inch stem extension, and a sleeve which is one inch longer than the 972-300.

#### Dripping from either the tub spout or shower head.

Clean the cartridge assembly (D). Check to ensure the two oval O-Rings (F) on the back of the cartridge (E) are in place. Reassemble cartridge, stem and bonnet assembly and handle. Turn on the water and test. If the unit still leaks, replace the cartridge (E).

#### Make sure that both hot and cold-water inlets are turned on. Water flow is very low.

Check the cartridge assembly (D), for debris. Sediment where the water enters the shower head (G) can also cause this symptom.

#### Water starts out hot and becomes cooler as handle is rotated counter clockwise.

This is a potentially hazardous situation and should be corrected before using the unit. Check the hot and cold inlet positions (hot-left, cold-right). If you have a back to back installation, (where hot and cold inlets are reversed) refer to valve body instruction sheet for back to back installation.

#### Water flows from the shower head while filling the tub.

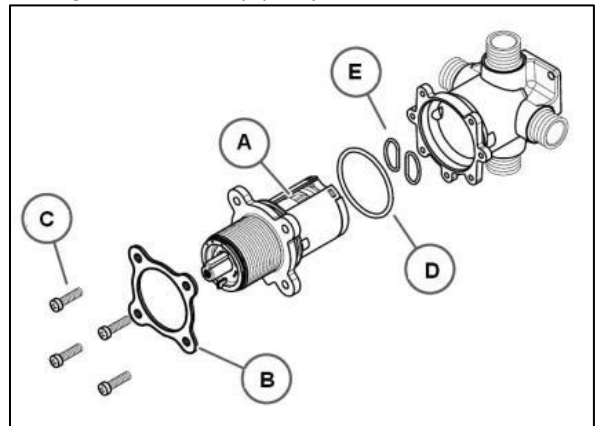
Check the position of the valve body (J). The letters SHWR should be vased into the top and TUB on the bottom.

#### Water doesn't get hot enough.

Remove hand (A), sleeve (B) and flange (C) and then refer to valve body instruction sheets for adjusting temperature range.

#### Water flows from the tub spout while using the shower.

The seal inside of the diverter mechanism may have become dislodged. The spout (H) may need replacement.



### CLEANING CARTRIDGE

If temperature or flow does not remain constant, the cartridge assembly (A) must be cleaned. Shut-off water supply. Remove trip assembly (not shown). Remove screws (C), backup plate (B) and cartridge assembly (A). Inspect inlets for sediment and flush with water. Inspect O-rings (D & E) for damage. Re-install cartridge assembly (A) and backup plate (B) then turn on water supply. If the problem persists replace cartridge assembly (A).

**CAUTION:** Do not disassemble cartridge (A).

## ADDITIONAL INFORMATION

To purchase replacement parts, go to [www.hwbpro.com/parts](http://www.hwbpro.com/parts)

If you require additional help, go to <https://www.hwbpro.com/warranty-parts-request/>

If this is an immediate need, call 866-783-2661. We are here from 9am - 4.30pm EST.

## WARRANTY INFORMATION & REGISTRATION

Please visit our website to register your product: <https://www.hwbpro.com/warranty-registration/>

Note the serial number of your unit for future references: \_\_\_\_\_

Registration must be completed within 45 days of receipt to be valid.

A full description of the warranty is available on [hwbpro.com](http://hwbpro.com) website.

## NOTES

---

---

---

---

---

---

---

---

homeward**b**ath